

QUEENSLAND ULTRALIGHT ASSOCIATION

APRIL 2006 NEWSLETTER

Watts Bridge Memorial Airfield, Silverleaves Road via Toogoolawah, Qld

Sponsored by : ACOUSTIC TECHNOLOGIES

EXCELLENCE IN PROFESSIONAL AUDIO (07) 33764122

WWW.atprofessional.com.au



Remember when flying was fun, before we had to worry about ASSIC Cards, flight reviews, incursions in controlled airspace, navigation was simple, and speeds were low. People came together and helped each other. We were in awe of those who built their own and made them fly. Scouts were high tech then. Improvements came, weights increased, speeds multiplied at the square root of the costs and now true ultralights have been overtaken by homebuilt and kit experimental recreation aircraft that evolve as General Aviation is re-invented to make us safer.

Will the cycle continue and one day will we look at the low and slow, light weight air machines to go aloft to feel the wind ?

QUEENSLAND ULTRALIGHT ASSOCIATION

MINUTES OF MARCH GENERAL MEETING

| | |
|--------------------------------|---------------------------------------------------------------------------------------------------------------------------------------------------------------------------------------------------------------------------------------------------------------------------------------------------------------------------------------------------------------------------------------------------------------------------------------------------------------------------|
| MEETING OPENED | 07.58 pm |
| APOLOGIES | Gavin McGrath, Bryan Schollum |
| VISITORS | Robyn Salisbury |
| MINUTES OF PREVIOUS MEETING | MOVED Richard Faint SECONDED Mike Smith CARRIED |
| TREASURERS REPORT BANK BALANCE | \$5,948 / \$15,000 invested MOVED Richard Faint SECONDED Peter Ratcliffe |
| SECRETARIES REPORT | Three items of mail received |
| BUSINESS ARISING FROM MINUTES | No business outstanding. |
| WATTS BRIDGE REPORT | Information Bulletin coming soon Leases still sitting with the Esk Shire Council solicitors. Silverleaves Road still waiting for approval for closure and diversion. QUA Hangar is full expect for a small aircraft. Club House project is still on hold due to lease issue problems. |
| RAAUS REPORT | ASSIC Cards continue to create an atmosphere of confusion in their issuing and implementation by CASA. When applying, a submitted photograph has to be less than six months old at time of the cards issue. If you have a current ASSIC Card you may find no interest by security to inspect it at any airport you may visit . RAaus computer analyst Howard Lowndes has resigned. RAaus treasurer Ian Shaunessey has retired. |

MARCH MINUTES CONTINUED

GENERAL BUSINESS

Richard Faint reported that more money is to be transferred to the investment account after fees and insurances are paid.

Richard Sweetapple has supplied two propeller clocks to be raffled in July. Thanks again Richard.

Glenda has a friend with a caravan for sale with a fairly new annex. Price is \$5,500 for the very well equipped van. Contact Janet/Peter on 07-38221542 or 0414011155.

Kevin Walters has a new plane called a Tecnam Sierra for training. Contact Kevin on 07- 54658888

There was a report of a new strip being set up in the Jacob's Well vicinity for recreation flying.

TECHNICAL REPORT

Colin Thorpe brought an exhaust manifold to display showing the neat laser cut exhaust flange in stainless steel. Col has offered to help with preparing any CAD drawing files so that others may be able to use the services like Lazer Dynamics Australia for stainless steel and Samin Sheet Metal for aluminium brackets. Thanks Col.

THANKYOU again

to Robyn for preparing the supper.

MEETING CLOSED

08.24 pm

ANNUAL SUBSCRIPTIONS ARE DUE !!!

Another year has come and gone. Some of us have gone flying, some are building, some have travelled by other means and others are still thinking about it. It has been a great year for most of us. Older, wiser and hopefully richer in wisdom and experience. It is time to send our treasurer Richard \$40.00 again to cover the annual fee. Richard is happy to accept cash or a cheque in the mail if you can't make the next meeting. One thing that always remains the same, is the QUA annual fee.

AIRCRAFT OF THE MONTH



INTRODUCTION TO THE M-19

The Barnard M-19 "Flying Squirrel" is the sport pilot's airplane, an affordable, simple, reliable homebuilt airplane that brings with it a return to flying the way it was intended to be. Many other homebuilt and kit designs have made these same claims, but very few have delivered.

The M-19 was conceived and designed by Marvin R. Barnard, a very talented and determined man who has managed to focus on the most basic of motivations for homebuilding: to create an airplane which can be built quickly and easily using basic materials and methods, at the lowest possible cost. Marvin built and tested the prototype, and flew it regularly.

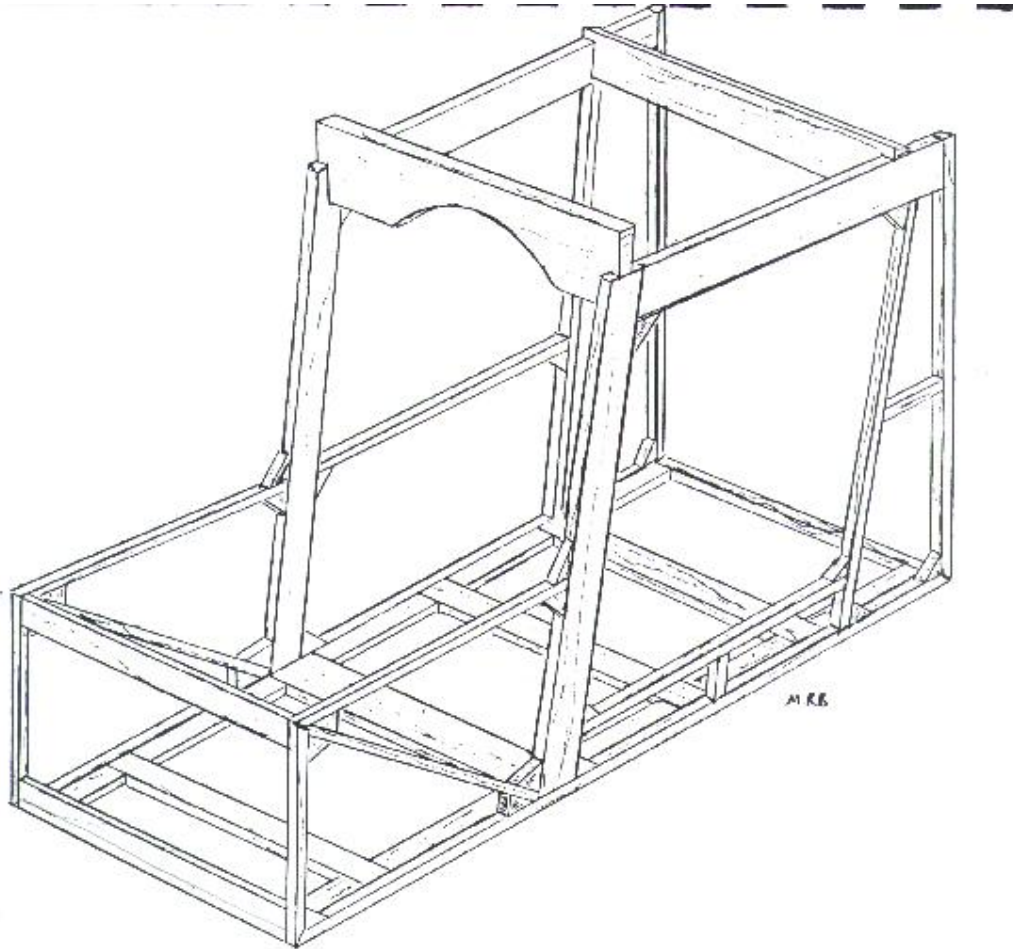
The M-19 was never intended to be a trophy winner in any category but one: SATISFACTION. Building and flying this airplane should satisfy the pilot's desire to fly a basic standard airplane, and satisfy the builder and experimenter's desire to... build and experiment!



DESCRIPTION

The M-19 is a single-place, high-wing, conventional fixed gear (taildragger) aircraft powered by the Volkswagen engine converted for aircraft use. Recommended horsepower is in the range of 50-60 HP. Any less than that will probably work, but will be borderline in performance. Any more than that will be extra weight and fuel consumption, and won't gain you much of value. The basic design does not include brakes, wing flaps, or trim. These could be added at the builder's discretion.

CONSTRUCTION



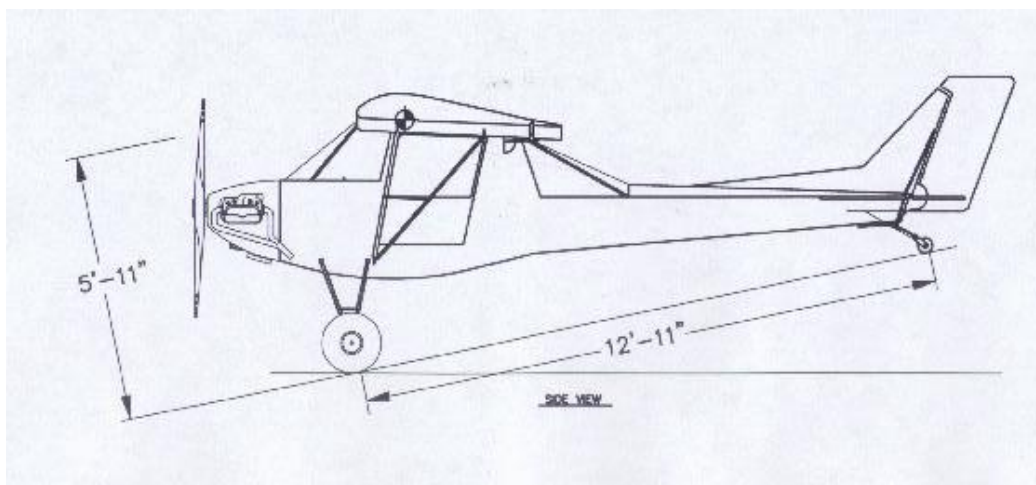
THE BASIC M-19 CABIN STRUCTURE

The airframe is constructed of wood, with rigid foam infill panels and a fiberglass/resin covering inside and out. The wings use wood spars with rigid foam ribs and wing surfaces, also with a fiberglass/resin covering. The ailerons are full-span. All wing and airframe fittings and struts are of steel. The aircraft's fuel tanks, about 8 gallons total, are contained in the wing rib bays. The wings fold for trailering.



M19 FLYING SQUIRREL SPECS

| | |
|-----------------------------------|------------------------------------|
| *Wing Span.....24 ft. | *Wing Area.....104 sq. ft. |
| *Length.....16.1 ft. | *Height.....5.4 ft. |
| *Wing Loading.....7.5 lb/sq. ft. | *Power Loading.....12 lb/HP |
| *Gross Weight.....800 lbs. | *Standard Empty Weight....494 lbs. |
| *Maximum Useful Load.....306 lbs. | *Optimum Cruise Speed.....80 MPH |
| *Stall Speed.....38 MPH | *Takeoff Ground Ru.....500 ft. |
| *Landing Roll.....500 ft. | *Vno.....80 MPH |
| *Vy.....60 MPH | *Vx.....55 MPH |
| *Vso no flaps.....38 MPH | *Vne.....90 MPH |



More information is available on www.flysquirrel.net/index.html

AIRCRAFT FOR SALE



MUSTANG P51B Amateur built 2/3rd scale standoff replica.

Cruise 90 Knots, Stall 40 Knots.
Powered by a Rotax 503 - 52 HP,
DCDI, E Type Gear box. Electric start
complete with muffler and propeller.
Instruments include ASI, Altimeter,
Slip/Skid, Compass, Rotax
Tachometer, Dual EGT, CHT, Hour
Meter and Voltmeter. Fitted with
Powermate Regulator and Battery.
Engine and Airframe 105 Hours.

Excellent condition.

Price \$20,000 complete or \$15,500
without engine, propeller and muffler.

Aircraft was flown regularly until 3
years ago (deceased estate).

Contact Richard on (07) 3818-1988AH
or 0412-317-754

NEXT QUA MEETING

MONDAY 3rd APRIL 2006

Starting from 07.30 pm at the SAAA clubroom near the main airfield gate on Beatty Road , Archerfield. Come and join us. A light supper with coffee/tea is provided too.

SOCIAL CALENDAR

| | |
|------------------|-----------------------------------------------------------------------------------------------------------------------------------|
| April 3 | Next QUA Meeting from 07.30pm |
| April 14 – 16 | RAAus Natfly at Narromine The big one is on again. All welcome. |
| April 29 – May 1 | Inglewood Flyin. Good opportunity to fly there, meet and join in with the local community. All fliers welcome. |
| July | Poker Run at Watts Bridge is being planned again. More details coming. Prop clock raffles to be drawn at this Weekend in July. |

BUILDERS REPORT



Danny and crew are busy working on the wing tip of the Zenair CH 701 they are building. One wing is nearly finished with one to go. The fuselage structure is nearly completed with the horizontal stabilizer, elevator and rudder fitted with the controls being tried. Work continues on the wing tanks and flaperon assembly. Progress is continuing at a good rate.

Danny Ratcliffe holding the engine cowl in position on a very complete CH 701 fuselage sitting on its undercarriage. As work progresses the choice of an engine is still being decided upon with a Suzuki derived conversion looking promising. The bare bones of the unfinished wing can be seen hanging on the back wall.



PRESIDENT Gavin McGrath 07 54262118 TREASURER Richard Faint 07 38189888

SECRETARY Mal McKenzie 07 33415348
